

Printer Tour

This topic includes:

- "Printer Features" on page 1-2
- "Available Configurations" on page 1-3
- "Front View" on page 1-4
- "Internal Components" on page 1-5
- "Printer Options and Upgrades" on page 1-5
- "Color" on page 1-6
- "Resources" on page 1-6

Printer Features

The Phaser 6250 Color Laser Printer embodies many features to meet your printing needs:

- Great performance and superior print quality
 - Letter: 26 pages per minute (ppm)
 - A4: 24 pages per minute
 - Less than 15 seconds first-page-out for color and monochrome prints
 - Up to 512 Mbytes of RAM
 - Customer-installable configuration upgrades
- Flexible paper handling
 - Optional 500-Sheet Feeder
 - Optional 1000-Sheet High-Capacity Feeder
 - Automatic two-sided printing (available with 6250DP, 6250DT, and 6250DX only)
 - Manual two-sided printing available for supported media types
- Wide variety of productivity features
 - Easy to replace toner cartridges
 - Prints black and white when a color toner cartridge is empty
 - PhaserSMART online troubleshooting
 - CentreWare Internet Services (an embedded web server) helps to manage, configure, and troubleshoot the printer from your computer.
 - Usage Analysis Tool provides cost tracking by logging each job and the cost for each page.
 - PrintingScout provides onscreen notification and guidance if the printer needs help.
 - MaiLinX email notifies a specific person when supplies or maintenance are needed.
 - MaiLinX prints to your network printer from anywhere you have email.

Available Configurations

The Phaser 6250 Color Laser Printer is available in five configurations:

Features	Printer Configuration				
	6250B	6250N	6250DP	6250DT	6250DX
Maximum Print Speed	26	26	26	26	26
Standard Memory (Mbytes)	128	256	256	512	512
PostScript and PCL Fonts	Yes	Yes	Yes	Yes	Yes
Secure, Proof, and Saved Print Jobs	No	Optional*	Optional*	Optional*	Yes
Automatic 2-Sided Printing	No	No	Yes	Yes	Yes
Photo Mode	No	Yes	Yes	Yes	Yes
Default Resolutions (dpi)	2400x600	2400x600	2400x600	2400x600	2400x600
500-Sheet Feeder	Optional	Optional	Optional	Standard***	NA
1000-Sheet High-Capacity Feeder	Optional	Optional	Optional	NA	Standard***
Banner-Size Printing	No	Optional*	Optional*	Yes	Yes
USB, Parallel Connection	Yes	Yes	Yes	Yes	Yes
10/100 Ethernet Connection	No	Yes	Yes	Yes	Yes
Internal Hard Drive	NA**	Optional	Optional	Optional	Yes

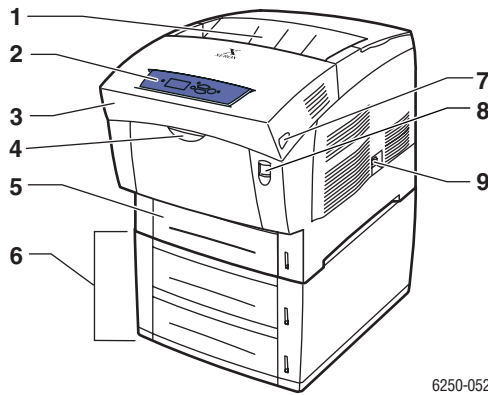
* Requires an optional hard drive.

**Hard drive is functional but requires an N upgrade to support storage features.

*** Optional feeders are not stackable.

All configurations support two memory slots. The maximum memory is 512 Mbytes.

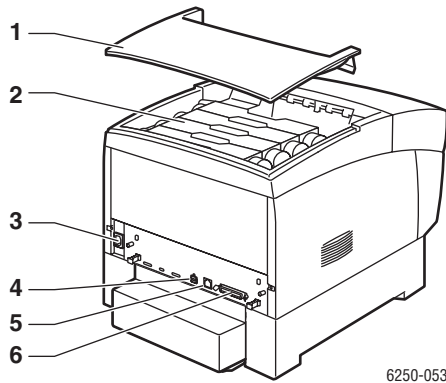
Front View



1. Output tray
2. Front panel
3. Front door
4. Handle to open Tray 1 (MPT)
5. Tray 2
6. Trays 3 and 4 (optional)
7. Latch to open Front Door B
8. Latch to open Front Door A
9. Power switch

6250-052

Rear View

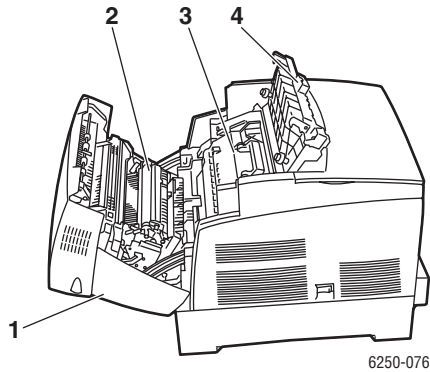


1. Top cover
2. Toner cartridges
3. Power cord connection
4. USB connection
5. Ethernet 10/100 Base-T connection
6. Parallel cable connection

6250-053

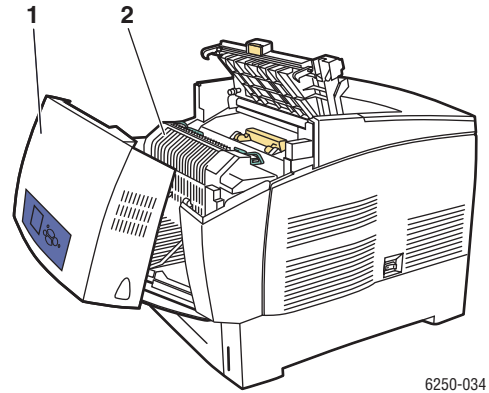
Internal Components

Door A Open



1. Front Door A
2. Transfer roller
3. Imaging unit
4. Door C

Door B Open



1. Front Door B
2. Fuser

Printer Options and Upgrades

Options and upgrades are available for the Phaser 6250 printer.

Options

- 256 Mbytes RAM memory card (upgradable to 512 Mbytes RAM memory with two 256 Mbytes RAM memory cards)
- 500-Sheet Feeder
- 1000-Sheet High-Capacity Feeder
- Internal hard drive

Upgrades

- Phaser 6250B to 6250N
- Phaser 6250N to 6250DP

For more information on printer options and upgrades, go to www.xerox.com/officeprinting/6250supplies.

Color

Xerox Phaser color printers embody 20 years of printing experience. While different models are optimized for tasks, such as fast, easy, office printing or complex, large format graphic arts applications, all Phaser color printers share important characteristics that contribute to the Xerox reputation for color image quality.

Exceptional color quality starts with the controller. Xerox designs and builds the Phaser printer controller. Working in unison with advanced printer driver software, your printer incorporates capabilities, such as custom color tables for color accuracy. The proprietary TekColor correction applies the best color correction mode to each element on the page. This results in bright, vivid colors in solid fill areas, good detail in photographs, and crisp text.

Your printer also uses True Adobe PostScript 3 for the most accurate page rendering and image quality. Together, these features combine to give you consistently high-quality results for a broad range of printing needs.

For more information about color and your printer, go to [Reference/Printing/Using Color](#) on the *User Documentation CD-ROM*.

Resources

You can obtain information regarding your printer and its capabilities from the following sources:

Information	Source
Setup Guide	Packaged with printer
Quick Reference Guide	Packaged with printer
Warranty	Packaged with printer
Supplies Guide	Packaged with printer
Reference Guide	Packaged with printer (<i>User Documentation CD-ROM</i>)
Printer Management Tools	www.xerox.com/officeprinting
infoSMART Knowledge Base	www.xerox.com/officeprinting/infoSMART
PhaserSMART	www.phaserSMART.com
Technical Support	www.xerox.com/officeprinting/support
Information Pages	<ul style="list-style-type: none"> ■ Front panel ■ CentreWare IS ■ Printer Driver